

NEW update	Brand	Type	Note	Plug and Play	1 Universal harness	Remark	Photo
	Alfa	147 <2000			190-500225W		
		147 2000>		190-5002110			2
		156 <2002				190-500225W	
		156 2002>		190-5002110			2
		156 Crosswagon		190-5002110			2
		159		190-5002130			3
		8C					
		Brera		190-5002130			3
		Giulietta 2010>		190-5002130			
		GT		190-5002110			2
	MITo		190-5002130			3	
	Spider 2007>		190-5002130			3	
	Audi	A1		190-5002230			
		A2		190-5002230			7
		A2 1.2TDI, 1.4TDI		190-5002310			7
		A3 <2005		190-5002230			7
		A3 TDI <2005		190-5002310			7
		A3 2005>		190-5002450			10
		A4 2001-2007		190-5002230			7
		A4 1.9&2.5 TDI 2001- 2007		190-5002310			7
		A4 2008>		190-5002450			
		A5		190-5002450			
		A6 <2006		190-5002230			7
		A6 1.9&2.5 TDI <2006		190-5002310			7
		A6 2006>		190-5002450			10
		A7		190-5002450			10
		Q5		190-5002450			
		Q7		190-5002230			7
		R8		190-5002450			
	TT		190-5002450			10	
	BMW	1-series (E87) 2004-2011		190-5002470			18
		1-series (F30) 2011-				190-500225W	18
		3-series (E90) 2005-2012		190-5002470			18
		3-series (F30) 2012-				190-500225W	18
		5-series (E60-E61) 2003-		190-5002470			18
		6-series (E63-E64) 2004-		190-5002470			18
		7-series (E65) 2001-		190-5002470			18
	Buick	Enclave		190-5002390			20
		Lacrosse		190-5002130			3
		Regal		190-5002130			3
	Cadillac	BLS		190-5002130			3
		Escalade		190-5002390			20
	Chevrolet	Avalanche		190-5002390			20
		Aveo	Drive-by-wire models (E-gas) only	190-5002400			2
		Camaro		190-5002390			20
		Captiva 2.0 VCDI		190-5002390			20
		Captiva 2.4 4WD		190-5002390			20
		Cobalt		190-5002390			20
		Colorado 2009-2011		190-5002480			24
		Corvette		190-5002390			20
		Epica VCDI		190-5002390			20
		Express		190-5002390			20
		HHR		190-5002130			3
		Impala		190-5002390			20
		Lacetti		190-5002400			2
		Malibu		190-5002390			20
		Nubira TCDI		190-5002400			2
		Silverado		190-5002390			20
		Spark	Drive-by-wire models (E-gas) only	190-5002160			25
	Suburban		190-5002390			20	
	Tahoe		190-5002390			20	
	Traverse		190-5002390			20	
	Wquinox						
	Chrysler	PT Cruiser 2000-2006			190-500225W		19
		PT Cruiser 2006>		190-5002160			25

NEW	Brand	Type	Note	Plug and Play	Universal harness	Remark	Photo
		Sebring		190-5002360			6
		Voyager CRD 2006 - 2007			190-500034W		24
		Grand Voyager 2008>		190-5002160			25
		Town & Country		190-5002160			25
		300		190-5002160			25
	<b>Citroen</b>	Berlingo <2006		190-500009B			8
		Berlingo 2006-2008		190-500017B			16
		Berlingo 2009>		190-500041B			16
		C1		190-5002220			11
		C2 <2006		190-500009B			1
		C2 2006-2008		190-500017B			16
		C2 2009>		190-500041B			
		C3 <2006		190-500009B			1
		C3 2006-2008		190-500017B			16
		C3 2009>		190-500041B			
		C4 <2006		190-500009B			1
		C4 2006-2008		190-500017B			
		C4 2009>		190-500041B			
		C4 Picasso 2006-2008		190-500017B			16
		C4 Picasso 2009>		190-500041B			
		C5 2001-2004		190-500009B			1
		C5 2005-2007		190-500017B			16
		C5 2008>		190-500017B			
		C5 (first generation)		190-500009B			8
		C8		190-500009B			8
		C-Crosser		190-5002360			6
		Jumper / Relay <2006		190-5002230			7
		Jumper / Relay 2006-2011		190-5002110			2
		Jumpy / Despatch <2008		190-500017B			16
		Jumpy / Despatch 2009>		190-500041B			
		Nemo		190-5002110			2
		Picasso 2006>		190-500017B			16
		Xantia		190-500009B			8
		Xsara		190-500009B			8
		Xsara Picasso		190-500009B			8
	<b>Dacia</b>	Duster	not for LPG/petrol versions	190-5002140			7
NEW		Dokker		190-5002180			7
		Logan Dci		190-5002140			7
		Lodgy		190-5002180			12
		Sandero	not for LPG/petrol versions	190-5002140			7
	<b>Daihatsu</b>	Cuore / Mira / Domino 1.0 51KW 2011>	Engine 1KR-FE (Euro-5 !)	190-5002220			11
	<b>Dodge</b>	Avenger		190-5002360			6
		Caliber		190-5002360			6
		Charger		190-5002160			25
		Durango		190-5002360			6
		Grand Caravan		190-5002160			25
		Journey		190-5002360			6
		Nitro		190-5002160			25
		Ram Van CRD 2006-2007			190-500034W		24
		Ram 1500		190-5002160			25
		Ram 2500		190-5002160			25
		Ram 3500		190-5002160			25
		Viper		190-5002360			6
	<b>Fiat</b>	500		190-5002380			20
		Bravo <2011		190-5002110			2
		Bravo 2011>		190-5002130			3
		Croma 2005>		190-5002130			3
		Doblo I / Ram <2009		190-5002110			2
		Doblo II 2009>		190-5002130			
		Ducato <2006		190-5002230			7
		Ducato 2006-2011		190-5002110			2
		Fiorino 2008>		190-5002110			2
		Grande Punto		190-5002130			3
		Idea		190-5002110			2
		Linea		190-5002130			
		Marea 1999>			190-500225W		
		Multipla 1998>		190-5002110			2

NEW	Brand	Type	Note	Plug and Play	Universal harness	Remark	Photo
		Panda 2003-2012	for versions with electronic throttle pedal	190-5002380			20
		Punto 2003-2009		190-5002110			2
		Punto Evo 2009>		190-5002130			3
		Qubo		190-5002110			2
		Scudo <2007		190-500009B		cut connectors from the T-harness and solder to potentiometer harness	8
		Scudo 2007-2008		190-500017B			16
		Scudo MY2009		190-500041B			
		Sedici		190-5002210			13
		Stilo 2001>		190-5002110			2
		Strada		190-5002110			2
		Ulysse <2005		190-500009B		cut connectors from the T-harness and solder to potentiometer harness	8
		Ulysse 2.2 JTD 2006>		190-500017B			16
	<b>Ford</b>	C-Max <2010		190-5002330			22
		C-Max / Grand C-Max 2011>		190-5002160			25
		Ecape		190-5002160			25
		Edge	<b>firmware 18.01 or later</b>		190-500248W	(10-pole throttle connector, requires firmware version 18.01 or later!)	29
		Expedition		190-5002160			25
		E150		190-5002160			25
		Fiesta 2002-2008		190-5002200			9
		Fiesta TDCI 2009> manual gearbox		190-5002330			22
		Fiesta 2009>		190-5002330			22
		Focus 1.8TDi <2003	<b>firmware 18.01 or later</b>		190-500248W	(10-pole throttle connector, requires firmware version 18.01 or later!)	29
		Focus (Europe) 2003 - 2007	Not 1.8TDi	190-5002330			22
		Focus (Europe) 2008-2011		190-5002330			22
		Focus (USA) 2008>		190-5002160			25
		Focus 2011>		190-5002160			25
		Flex	<b>firmware 18.01 or later</b>		190-500248W	(10-pole throttle connector, requires firmware version 18.01 or later!)	29
		Fusion (Europe)		190-5002200			9
		Fusion (USA)	<b>firmware 18.01 or later</b>		190-500248W	(10-pole throttle connector, requires firmware version 18.01 or later!)	29
		F150 2004-2009	<b>firmware 18.01 or later</b>		190-500248W	(10-pole throttle connector, requires firmware version 18.01 or later!)	29
		F150 2009-		190-5002160			25
		F250 2008-2011		190-5002160			25
		F350 2009-		190-5002160			25
		Galaxy TDI <2006		190-5002310			7
		Galaxy 2006>		190-5002330			22
		Ka 2009-2010		190-5002380			20
		Ka 1.2 petrol Start/Stop 2011>		190-5002130			20
		Kuga		190-5002330			22
		Mondeo <2006			190-500248W	<b>diesels only</b>	29
		Mondeo 2007>		190-5002330			22
		Mustang 2005-	<b>firmware 18.01 or later</b>		190-500248W	(10-pole throttle connector, requires firmware version 18.01 or later!)	29
		Ranger 2.5TD & 3.0TDCI 2007-2011		190-5002320			23
		Ranger 2012>		190-5002160			25
		S-max 2006>		190-5002330			22
		Taurus		190-5002160			25
		Tourneo Connect 2007>		190-500233A			22
		Transit <2005			190-500248W		
		Transit 2006-2011		190-5002330			22
		Transit 2.2 TDCi 125HP 2012>	Euro-5	<b>190-5002260</b>			22
		Transit 250	<b>firmware 18.01 or later</b>		190-500248W	(10-pole throttle connector, requires firmware version 18.01 or later!)	29
		Transit Connect 2006-2009		190-5002330			22
		Transit Connect <2006			190-500248W	<b>diesels only</b>	29
		Transit Connect 2009>		190-500233A			22
	<b>GAZ</b>	Gazelle Business		190-5002130			3
		Siber		190-5002360			
	<b>GMC</b>	Acadia		190-5002390			20
		Sierra		190-5002390			20
		Youkon		190-5002390			20
	<b>Honda</b>	Accord 2006-2008			190-500225W		14
		Accord 2008>		190-5002240			17
		Civic <2006			190-500225W		14
		Civic 2006-2011		190-5002240			17
		Civic MY2012		190-5002520			
		Civic Hybrid		190-5002240			17
		Crosstour 2010>		190-5002240			17
		CR-V 2007>		190-5002240			17
		CR-V <2006			190-500225W		14
		CR-Z 2010>		190-5002240			17

NEW	Brand	Type	Note	Plug and Play	Universal harness	Remark	Photo
		Element 2003-2010		190-5002240			17
		Fit 2009>		190-5002520			27
		FCX Clarity 2008>		190-5002240			17
		FRV			190-500225W		14
		Insight 2009		190-5002520			27
		Jazz 2002-2008			190-500225W		15
		Jazz 2009>		190-5002520			27
		Odyssey (USA) 2005>		190-5002240			17
		Pilot 2009>		190-5002240			17
		Ridgeline 2006>		190-5002240			17
	<b>Hyundai</b>	Accent		190-5002110			2
		Elantra 2006-2011		190-5002100			4
		Elantra 2011-		190-5002460			
		Getz <2007		190-5002100			4
		Getz 2008> Left Hand Drive		190-5002400			2
		Getz 2008> Right Hand Drive		190-5002110			2
		Grandeur		190-5002370			6
		H1 / i800 / iLoad CRDI		190-5002110			2
		H200 CRDI		190-5002110			2
		H300 / Satellite		190-5002110			2
		i10 CRDi		190-5002400			2
		i20 CRDI Left hand drive		190-5002110			2
		i20 CRDI Right hand drive		190-5002400			2
		i40		190-5002370			6
		i800 / H1 CRDI		190-5002110			2
		iX20 Left Hand Drive		190-5002110			2
		iX20 Right Hand Drive		190-5002400			2
		Matrix <2007		190-5002100			4
		Matrix 2008>		190-5002110			2
		Santa-Fe petrol		190-5002100			4
		Santa-Fe 2.0CRDi, 2.2CRDi 2006-2010		190-5002100			4
		Santa-Fe 2.7CRDi, 3.3CRDi 2006-2010		190-5002110			2
		Santa-Fe 2.0CDRi 2010>		190-5002370			6
		Santa-Fe 2.2CDRi 2010>		190-5002460			3
		Sonata 2.0 CRDI		190-5002370			6
		Sonata 2.4		190-5002370			6
		Terracan 2.9 CRDI		190-5002110			2
		Terracan 2.9 CRDI		190-5002100			4
		Trajet		190-5002110			2
		Trajet		190-5002100			4
		Tucson	Not for 2.7 petrol 129KW	190-5002100			4
		Veloster		190-5002460			3
	<b>IKCO</b>	Samand (EF7)		190-502110			2
	<b>Isuzu</b>	D-max / Rodeo 2009>		190-5002480			24
		I-Series 2009>		190-5002480			24
		KB 2009>		190-5002480			24
		T-series 2009>		190-5002480			24
	<b>Iveco</b>	Turbo Daily 2006>		190-5002110			2
	<b>Jaguar</b>	S-Type 1998-2004	requires canbus interface for speed signal		190-500225W		7
		X-type 2001-	requires canbus interface for speed signal		190-500225W		7
	<b>Jeep</b>	Cherokee 2.8 CRD			190-500225W		
		Cherokee 2008-		190-5002160	190-500225W		25
		Commander		190-5002160			25
		Compass		190-5002360			6
		Liberty		190-5002160			25
		Patriot		190-5002360			6
		Wrangler 2008>		190-5002160	190-500225W		25
	<b>Kia</b>	Carens <2005		190-5002100			4
		Carens 2006>		190-5002370			6
		Carnival 2.9 CRDi		190-5002100			4
		Carnival 2.9 CRDi		190-5002110			2
		Cee'd 2006> manual transmission		190-5002110			2
		Cee'd 2006> automatic transmission		190-5002110			2
		Cerato		190-5002110			2

NEW	Brand	Type	Note	Plug and Play	Universal harness	Remark	Photo
		Magentis 2006>		190-5002370			6
		Picanto <2007		190-5002100			4
		Picanto 2008-2010		190-5002110			2
		Picanto 2011>		190-5002400			2
		Pro-Ceed		190-5002110			2
		Rio <2007		190-5002110			2
		Rio 2007-2011		190-5002400			2
		Rio 2011>		190-5002460			2
		Soul		190-5002400			2
		Soul 2010> diesel		190-5002110			2
		Sorento <2005		190-5002100			4
		Sorento 2006-2009		190-5002110			2
		Sorento 2009> manual transmission		190-5002460		from 2011 onwards needs PULL-UP on speed signal	3
		Sorento 2009 > automatic transmission		190-5002460		from 2011 onwards needs PULL-UP on speed signal	3
		Sportage CDRi (2004-2009)		190-5002110			2
		Sportage 2010>		190-5002370			6
		Venga		190-5002400			2
	<b>Lancia</b>	Delta 2008>		190-5002110			2
		Lybra 1.9 JTD		190-5002110			2
		Musa		190-5002110			2
		Ypsilon 2006>		190-5002380			20
	<b>Land Rover</b>	Defender Td-4 (2007>)		190-5002510			
		Defender Td-5 (2002-2007)	Requires specific firmware!!	190-5002500			
		Discovery 3 (2004-2010)			190-500225W		
		Freelander (1997-2003)			190-500225W		
		Freelander (2003-2006)		190-5002200			9
		Freelander 2 (2007>)		190-5002330			22
	<b>Lexus</b>	IS <2011		190-5002210			13
		IS 2011>		190-5002220			11
	<b>LDV</b>	Maxus		190-5002230			7
	<b>Mahindra</b>	Scorpio (GOA)		190-5002110			2
	<b>Mazda</b>	2 <2007		190-5002200			9
		2 Petrol 2007-2010		190-5002220			11
		2 CiTD 2008-2010		190-5002330			22
		2 2011-	all models	190-5002220			
		3 2004-2009		190-5002330			22
update		3 2009-2011			190-500233W		25
update		3 Petrol , 1.6CiTD 2011-2013		190-5002160			25
NEW		3 MY2013		190-5002160			25
		5 CiTD 2005-2010		190-5002210			13
		5 Petrol 2008-2010		190-5002330			22
		5 1.6 CiTD 2011-		190-5002330			22
		5 Petrol 2011-		190-5002160			
		6 <2007		190-5002210			13
		6 2008>		190-5002160			25
		B2500		190-5002320			23
		BT-50 2.5TDI & 3.0 CRDi <2011		190-5002320			23
NEW		BT-50 2011-		190-5002160			
		CX5		190-5002530			
		CX7		190-5002220			11
		MPV		190-5002320			23
		MX5 2006>		190-5002210			13
		RX8		190-5002210			13
	<b>Mercedes</b>	A Class		190-5002490			18
		B Class (245) 2005-2011		190-5002490			18
NEW		Citan		190-5002180			
		C-Class (203) <2007		190-5002490			18
		C-Class (204) 2007>		190-5002440			21
		E-Class (211) 2002-2009		190-5002490			18
		E-Class (212) 2009>		190-5002440			21
		Sprinter 1995-2000	(5-pole throttle connector)		190-500225W		
		Sprinter (901-904) 2000-2006		190-5002490			18
		Sprinter (906) 2006>		190-5002440			21
		Vaneo		190-5002490			18
		Viano CDI		190-5002490			

NEW	Brand	Type	Note	Plug and Play	Universal harness	Remark	Photo
		Vito 1996-2006		190-5002490			18
		Vito 2006>		190-5002440			21
	Mini	Mini 2001>		190-5002470			18
update	Mitsubishi	Canter 2008-2010	not for EURO-5 engines		190-500234W		
update		Canter 2010-2011	EURO-5 engines		190-500234X		
		Canter 2012>			190-500225W		
		Carisma DI-D 2001>		190-5002140			
		Colt (2005>)		190-5002130			3
		Grandis 2.0 DI-D			190-500225W		13
		Grandis 2.4 MPI			190-500225W		13
		Lancer 2008>		190-5002360			6
		L200 Model 2006		190-5002290			13
		Outlander 2007>		190-5002360			6
		Pajero <2006					
		Pajero 2006>		190-5002290			13
		Shogun 2006>		190-5002290			13
		Space Star		190-5002140			
	Nissan	Almera		190-5002130			3
		Almera Tino		190-5002130			3
		Altima 2007>		190-5002180			12
		Cabstar F24 2007>		190-5002180			12
		Cube		190-5002180			12
		Interstar		190-5002140			7
		Juke		190-5002180			12
		Frontier		190-5002130			3
		Kubistar		190-5002140			7
		Maxima		190-5002180			12
		Maxity		190-5002180			12
		Micra 2003>		190-5002180			12
		Murano 2008>		190-5002180			12
		Navara 2005>		190-5002130			3
		Note		190-5002180		Speed pulse Navara 2011>: combi-instrument panel connector, pin no. 5 (no pull-up) !!	12
		NP300		<del>190-5002130</del>		190-5002120 (diesel)	12
		NV200 Petrol	use AP900C for Dci versions	190-5002180			12
NEW		NV400		190-5002180			12
		Pathfinder		190-5002130			3
		Patrol 2007>		190-5002180			12
		Pixo		190-5002210			13
		Primastar		190-5002140			7
		Primera		190-5002130			3
		QashQai 2007>		190-5002180			12
NEW		Sentra 2013> (Sylphy, Pulsar)		190-5002180			12
		Teana		190-5002180			12
		Tiida		190-5002180			12
		X-trail 2004-2007		190-5002120			5
		X-Trail 2007>		190-5002180			12
		350Z		190-5002120			5
		370Z		190-5002180			
	Opel	Agila 2003-2007		190-5002130			3
		Agila 2008>		190-5002210		Speed pulse. Manual gearbox: brown wire Power Steering module (blue) connector (behind mid-console, right side). Automatic gearbox: TCM 26-pole connector, pin 25 purple wire (A-style passenger side)	13
		Antara		190-5002390			20
		Astra G (1998-2004)			190-500225W		
		Astra H (2004-2009)		190-5002130			3
		Astra J (2009>)		190-5002130			3
NEW		Combo 2012>		190-5002110			
		Combo 2004-2012		190-5002130			3
		Corsa 2000>		190-5002130			3
		Frontera			190-500225W		
		Meriva 2004-2010		190-5002130			3
		Meriva B (2010>)		190-5002390			20
		Movano A <2010		190-5002140			7
		Movano B 2010>		190-5002180			12
		Vauxhall Movano B 2012>		190-5002430			12
		Tigra Twin-top		190-5002130			3
		Tour		190-5002130			3
		Vectra B		190-5002130			3
		Vectra C		190-5002130			3

NEW	Brand	Type	Note	Plug and Play	Universal harness	Remark	Photo
		Vivaro 2006>		190-5002140			7
		Vivaro <2006		190-5002140			7
		Zafira <2005			190-500225W		
		Zafira 2005>		190-5002130			3
	<b>Peugeot</b>	107 <2007		190-500009B			16
		107 Petrol 2008>	1.0 petrol may be cable driven	190-5002220			11
		1007 (2005-2006)		190-500009B			1
		1007 (2006>)		190-500017B			16
		206 (first generation)		190-500009B		cut connectors from the T-harness and solder to potentiometer harenss	8
		206/SW/CC (2005-2006)		190-500009B			1
		206 2006>		190-500017B			16
		207 (2006-2008)		190-500017B			16
		207 2008>		190-500041B			26
		306 HDI		190-500009B		cut connectors from the T-harness and solder to potentiometer harenss	8
		307 (first generation)		190-500009B		cut connectors from the T-harness and solder to potentiometer harenss	8
		307/SW/CC (2005-2006)		190-500009B			1
		307 2006>		190-500017B			16
		308 <2008		190-500017B			16
		308 2009>		190-500041B			26
		3008		190-500041B			26
		406 HDI		190-500009B		cut connectors from the T-harness and solder to potentiometer harenss	8
		407/SW/Coupe (2005-2006)		190-500009B			1
		407/SW/Coupe (2006-2008)		190-500017B			16
		407 2008>		190-500041B			26
		4007		190-5002360			6
		5008		190-500041B			26
		806 HDI		190-500009B		cut connectors from the T-harness and solder to potentiometer harenss	8
		807		190-500009B		cut connectors from the T-harness and solder to potentiometer harenss	8
		807 2.0 2008>		190-500017B			16
		Bipper		190-5002110			2
		Boxer <2006		190-5002230			7
		Boxer 2006-2011		190-5002110			2
		Expert <2007		190-500009B		cut connectors from the T-harness and solder to potentiometer harenss	8
		Expert 2008>		190-500041B			26
		Partner (2005-2006)		190-500009B		cut connectors from the T-harness and solder to potentiometer harenss	8
		Partner 2006-2008		190-500017B			16
		Partner 2009>		190-500041B			26
	<b>Porsche</b>	911/997 2004-2008		190-5002230			7
		911 2008>			190-500225W		
		966 MY2000			190-500225W		
		Boxster			190-500225W		
		Boxster S			190-500225W		
		Cayenne		190-5002230			7
	<b>Renault</b>	Avantime		190-5002140			7
		Scénic 08-2003>		190-5002180			12
		Clio II 2001-2005		190-5002140			7
		Clio III 2005>		190-5002180			12
		Espace		190-5002140			7
		Fluence		190-5002180			12
		Kangoo 2003-2008		190-5002140			7
		Kangoo 2008>		190-5002180			12
		Koleos		190-5002180			12
		Laguna 2001-2005		190-5002140			7
		Laguna 2006>		190-5002180			12
		Laguna 2.0 dCi 2011>	only 2.0dCi	190-5002150			12
		Master 2003-2010		190-5002140			7
		Master 2010>		190-5002180			12
		Master 2012> (right hand drive)		190-5002430			12
		Maxity		190-5002180			12
		Mégane 03>		190-5002180			12
		Mégane 03> Automatic		190-5002180			12
		Modus / Grand Modus		190-5002180			12
		Trafic		190-5002140			7
		Twingo 1996-2007		190-5002140			7
		Twingo 1.2 16V 2007>		190-5002430			12
		Vel Satis		190-5002140			7
	<b>Saab</b>	9-3 2002>		190-5002130			3

NEW	Brand	Type	Note	Plug and Play	Universal harness	Remark	Photo
update	Seat	Alhambra <2010		190-5002230			<u>7</u>
update		Alhambra 1.9TDI <2010		190-5002310			<u>7</u>
update		Alhambra 2010>		190-5002450			
		Altea 2004>		190-5002450			<u>10</u>
		Arosa 2002-2004		190-5002230			<u>7</u>
		Arosa 1.4TDI 2002-2004		190-5002310			<u>7</u>
		Cordoba		190-5002230			<u>7</u>
		Cordoba 1.4TDI		190-5002450			<u>7</u>
		Cordoba 1.9TDI		190-5002310			
		Exeo		190-5002450			
		Ibiza 2002-2008		190-5002230			<u>7</u>
		Ibiza 1.4TDI, 1.9TDI 2002-2008		190-5002310			<u>7</u>
		Ibiza 2008>		190-5002230			<u>7</u>
		Leon 2002-2005		190-5002230			<u>7</u>
		Leon 1.9TDI 2002-2005		190-5002310			<u>7</u>
		Leon 2005>		190-5002450			<u>10</u>
		Toledo <2004		190-5002230			<u>7</u>
		Toledo 1.9 TDI <2004		190-5002310			<u>7</u>
		Toledo 2004>		190-5002450			<u>10</u>
	Skoda	Fabia 2000> petrol + 1.6TDI		190-5002230			<u>7</u>
		Fabia 2000> 1.4TDI, 1.9TDI		190-5002310			<u>7</u>
		Octavia 1U petrol <2004		190-5002230			<u>7</u>
		Octavia 1U 1.9TDI <2004		190-5002310			<u>7</u>
		Octavia 1Z 2004>		190-5002450			<u>10</u>
		Praktik		190-5002310			
update		Roomster petrol + 1.6TDI		190-5002230			<u>7</u>
update		Roomster 1.4TDI, 1.9TDI		190-5002310			<u>7</u>
update		Roomster 2011>		190-5002450			
		Superb 1.4TSI 92KW		190-5002450			<u>10</u>
		Superb 1.6TDI 77KW		190-5002450			
		Superb 1.8T (not AGU) 110KW		190-5002230			
		Superb 1.8 TSI 118KW		190-5002450			
		Superb 1.9TDI 77KW		190-5002310			
		Superb 2.0 85KW		190-5002230			
		Superb 2.0TDI 103KW		190-5002450			
		Superb 2.0TDI 125KW		190-5002450			
		Superb 2.0TDI 103KW		190-5002230			
		Superb 2.0TSI 147KW		190-5002450			
		Superb 2.8 V6 142KW		190-5002230			
		Superb 3.6FSI 191KW		190-5002450			
		Yeti		190-5002450			
	Smart	ForFour		190-5002130			<u>3</u>
		ForTwo <2007			190-500225W		<u>2</u>
		ForTwo 2007>		190-5002440			<u>21</u>
		Roadster 2006>					
	Ssang Yong	Actyon A200 Xdi		190-5002110			<u>2</u>
		Actyon A230		190-5002110			<u>2</u>
		Korando 2010-		190-5002110			
		Kyron M200Xdi		190-5002110			<u>2</u>
		Rexton 2006>		190-5002110			<u>2</u>
		Rexton 230			190-500225W		<u>18</u>
		Rexton 270		190-5002110			<u>2</u>
		Rodius 270		190-5002110			<u>2</u>
	Subaru	Forester 2.0		190-5002220			<u>11</u>
		Forester 2008>		190-5002220			<u>11</u>
		Impreza 2005>		190-5002220			<u>11</u>
		Legacy 2003>			190-500225W		<u>13</u>
update		Outback Sport		190-5002220			
		Tribeca					
		Trezia		190-5002280			<u>28</u>
update		WRX STI		190-5002220			
NEW		XV		190-5002220			
	Suzuki	Alto 2009>		190-5002210			<u>13</u>
		Alto 1.0 Automatic		190-5002210			<u>13</u>
update		Grand Vitara <2006			190-500009W		<u>8</u>
		Grand Vitara 2006>		190-5002210		for speed pulse input use brown wire from the power steering module (blue) connector (behind mid-console, right side)	<u>13</u>

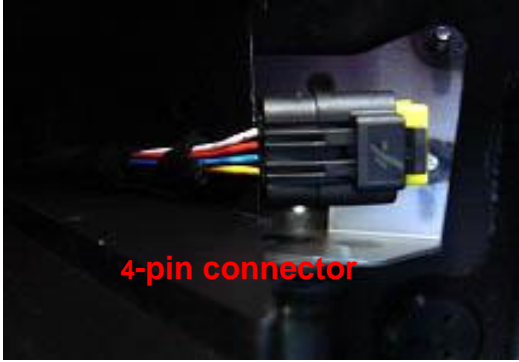


NEW	Brand	Type	Note	Plug and Play	Universal harness	Remark	Photo
		Ignis 1.3 Diesel		190-5002130			3
		Jimny 1,5 DSL		190-5002460			3
update		Liana			190-500009W		8
		Splash		190-5002210		for speed pulse input use brown wire from the power steering module (blue) connector (behind mid-console, right side)	13
		Swift Diesel 2005-2008		190-5002130			3
		Swift Diesel 2008>		190-5002210		for speed pulse input use brown wire from the power steering module (blue) connector (behind mid-console, right side)	13
		Swift Petrol 2005-2008		190-5002210			13
		Swift Petrol 2008>		190-5002210		for speed pulse input use brown wire from the power steering module (blue) connector (behind mid-console, right side)	13
		SX4 1.6		190-5002210			13
		Wagon R 1.3 DDiS 51KW		190-5002130			3
	<b>Toyota</b>	Avalon 2008>		190-5002220			11
		Avensis < 2008		190-5002120			5
		Avensis Verso < 2008		190-5002120			5
		Avensis 2009 >		190-5002220			11
		Aygo <2007		190-500009A			1
		Aygo MMT 2006-2007		190-5002220			11
		Aygo Petrol 2008>		190-5002220			11
		Auris 2007>		190-5002220			11
		Camry 2001-2005		190-5002120			5
		Camry 2006>		190-5002220			11
		Corolla <2007		190-5002120			5
		Corolla 2007>		190-5002220			11
		Corolla Verso		190-5002120			5
		Hi-ace		190-5002120			5
		Hi-lux <2005		190-5002120			5
		Hi-lux 2005>		190-5002210			13
		IQ		190-5002220			11
		Land Cruiser 90		190-5002120			5
		Land Cruiser 100 2005>		190-5002210			13
		Land Cruiser 120 2003>		190-5002210			13
		Land Cruiser 150 Prado 2005-2009		190-5002210			13
		Land Cruiser 150 Prado 2009>	manual gearbox	190-5002220			11
		Land Cruiser 200 4.0 V6 petrol 2007>	Use AP500 for all other model variants	190-5002220			11
		Matrix 2009>		190-5002220			11
		Prius 2011>		190-5002220			11
		Prius 2005-2010		190-5002210			13
		Prius 2001-2004		190-5002120			5
		Previa 2000>		190-5002120			5
		Raider		190-5002210			13
		RAV4 <2006		190-5002120			5
		RAV4 2006>		190-5002220			11
		Sienna 2003>		190-5002210			13
		Sienna 2011>		190-5002220			11
		Urban Cruiser		190-5002220			11
		Verso		190-5002220			11
		Verso S		190-5002280			28
		Yaris D4D 1998-2006		190-5002120			5
		Yaris 2006-2011		190-5002220		mount Clutch Switch	11
		Yaris 1.0 (MMT) 2006>		190-5002220			11
		Yaris MY-2012		190-5002280			28
	<b>UAZ</b>	Cargo		190-5002110			2
		Patriot		190-5002110			2
		Pickup		190-5002110			2
	<b>Volkswagen</b>	Amarok		190-5002230			7
		Beetle		190-5002450			10
		Bora		190-5002230			7
		Bora 1.9TDI		190-5002310			7
		Caddy 2004>		190-5002450			10
		Caravelle		190-5002230			7
		Caravelle 1.9 & 2.5 TDI		190-5002310			7
		Crafter 06>		190-5002440			21
		EOS		190-5002450			10
		Fox 1.2, 1.4 2005>		190-5002230			7
		Golf 4		190-5002230			7
		Golf 4 1.9TDI <2003		190-5002310			7
		Golf 5 (Plus) 2003>		190-5002450			10
		Golf 6		190-5002450			10
		Jetta 2005>		190-5002450			10
		Multivan 2003-2009	Use AP900C for 2009> models!	190-5002230			7

NEW	Brand	Type	Note	Plug and Play	Universal harness	Remark	Photo
		Multivan 1.9 & 2.5 TDI 2003-2009	Use AP900C for 2009> models!	190-5002310			7
		Multivan 2009->		190-5002450			10
		Passat 2000-2005		190-5002230			7
		Passat 1.9&2.5 TDI 2000-2005		190-5002310			7
		Passat 2005->		190-5002450			10
		Polo 1.4TDI, 1.9TDI 2002->		190-5002310			7
		Polo 1.2TDI 2002->		190-5002230			10
		Polo Petrol 2002->		190-5002230			10
		Lupo		190-5002230			7
		Lupo 1.4TDI & 3L 1.2TDI		190-5002310			7
		Scirocco 2008->		190-5002450			10
		Sharan 2000->		190-5002230			7
		Sharan 1.9TDI 2000->		190-5002310			7
		Sharan 2.0 TDI 2000->		190-5002450			
		Tiguan		190-5002450			10
		Touareg 2002->		190-5002230			7
		Touran 2003-2006		190-5002230			7
		Touran 1.9TDI 2003-2006		190-5002310			7
		Touran 2006->		190-5002450			10
		Transporter 5 2003-2009	Use AP900C for 2009> models!	190-5002230			7
		Transporter 5 2003-2009 1.9 & 2,5 TDI	Use AP900C for 2009> models!	190-5002310			7
		Up!		190-5002450			10
	<b>Volvo</b>	C30		190-5002330		2008->	22
		S40		190-5002330			22
		V50		190-5002330			22
		C70		190-5002330			22
		V70 2007->		190-5002330			22
		XC60 2009->		190-5002330			22
		XC70 2007->		190-5002330			22
		S80 2006->		190-5002330			22

**Photo:**

**1**



Peugeot - Citroen  
W/H AP800 Part no:

190-5000090

**Plug and Play available**

**2**



Fiat  
Hyundai  
Iveco  
Ssang Yong  
Kia  
UAZ

**3**



Nissan  
Mitsubishi  
Fiat  
Suzuki

**4**



Kia  
Hyundai

5



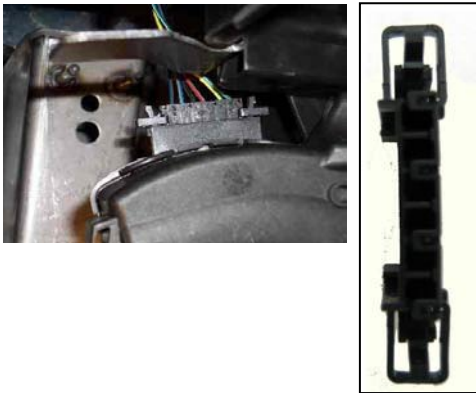
Toyota  
Nissan

6



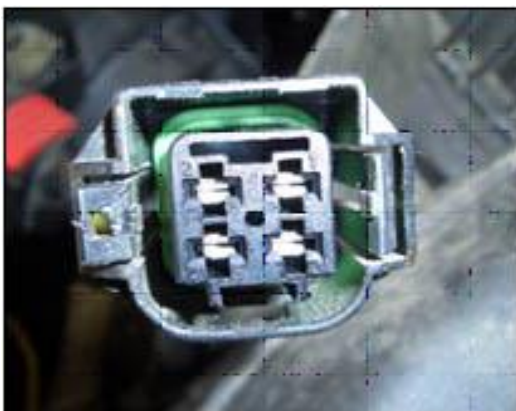
Hyundai Sonata 2.4  
Chrysler Sebring  
Dodge Avenger, Caliber  
Mitsubishi Outlander, Lancer  
Peugeot 4007  
Citroen C-Crosser

7



Renault  
Opel  
Nissan  
Peugeot  
Citroen  
VW  
Audi

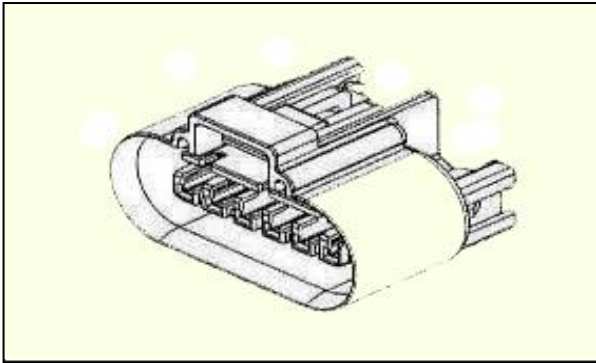
8



Peugeot      Potentiometer under bonnet  
Citroen      Potentiometer under bonnet  
Suzuki      Potentiometer under bonnet

W/H AP800 Part no:                      190-500050W

9



Ford Fiesta  
Land Rover freelande  
Mazda-2

10



VW Golf 5  
VW Passat 2005>

11



New Toyota;  
Aygo  
Yaris  
RAV4 2006>

Mazda:  
2, 6, CX7

Subaru

12



Renault:  
Modus  
Mégane  
Scenic

Nissan:  
Cabstar

13



Mazda:  
6  
MX5 (2006)  
RX8

Toyota  
Raider (Hi-lux)

Mitsubishi  
Grandis, L200, Pajero

14



Honda

CRV/HRV

W/H AP800 Part no:  
190-5000510



15



Honda  
Jazz

16



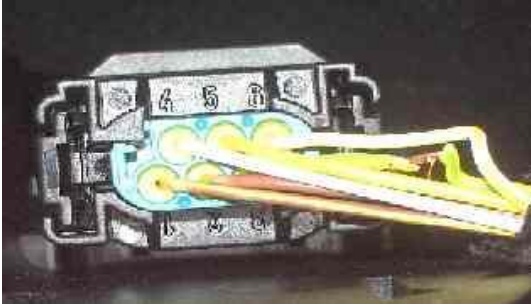
Citroen, Peugeot

17



Civic 2006>  
CRV 2007>

18



BMW 118  
Mercedes A + B  
Mini  
SsangYong Rexton 230

19



PT Cruiser 2000-2006

20



Fiat Panda  
Fiat 500  
Lancia Ypsilon



21



**Mercedes**

C-class  
Sprinter  
Vaneo  
Viano  
Vito

**VW**

Crafter

22



**Ford:**

C-Max  
Focus 2004>  
Galaxy 2006>  
Mondeo 2007>  
S-Max 2006>  
Transit 2006>  
Transit Connect 2007>

**Volvo**

C30  
S40  
V50  
C70  
V70  
S80

**Mazda**

3

**LandRover**

Freelander 2

23



**Ford**

Ranger

**Mazda**

BT-50

24



**Chrysler**

Voyager CRD

**Dodge**

Ram Van

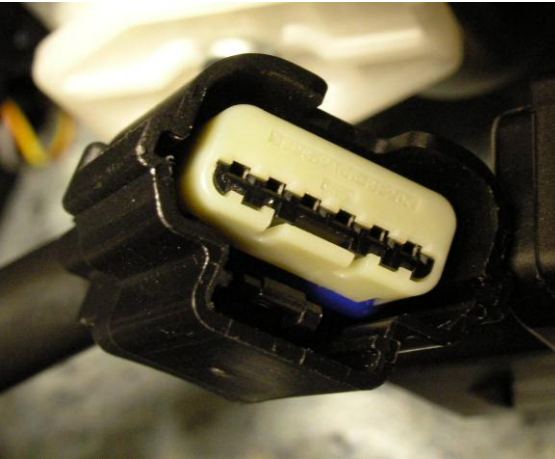
**Isuzu**

D-Max

**Chevrolet**

Colorado / D-Max

25



**Chrysler**

Grand Voyager

**Dodge**

Nitro

**Ford**

Focus USA

Focus 2011-

C-Max 2011- / Grand C-Max

**Mazda**

3, 6

**Chevrolet**

Spark

**Jeep**

Wrangler

26



**Fiat**

Scudo

**Peugeot**

**Citroen**

27



**Honda**  
Jazz  
Fit  
Insight

28



**Toyota**  
Verso-S

**Subaru**  
Trezia

29



**Ford**  
Edge  
Flex  
Fusion (USA)  
Transit 125T 350 (EU)  
F150  
F350

**Range Rover**